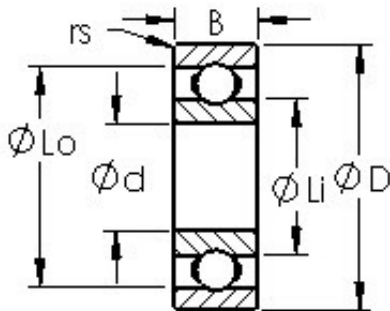




NTN BEARING-SUDAMERICANA, S.A.



AST 6007 deep groove ball bearings

Bearing No. 6007

Size	35x62x14 mm
Bore Diameter	35 mm
Outer Diameter	62 mm
Width	14 mm
Bearing Type	Open
Bore Dia (d)	35.0000
Outer Dia (D)	62.0000
Width (B)	14.0000
Radius (min) (rs)	1.000
Dynamic Load Rating (Cr)	15,900
Static Load Rating (Cor)	10,300
Max Speed (Grease) (X1000 RPM)	11
Max Speed (Oil) (X1000 RPM)	13
Max. Shaft Shoulder Dia. Inner (Li)	44.0
Min. Housing Shoulder Dia., Outer (Lo)	54.3
Ball Qty	11
Ball Dia (Dw)	7.9380
Weight (g)	155.00
Precision	A1
Standard Clearance	C0
Material	52100 Chrome Steel or equivalent

6007 Bearing 2D drawings and 3D CAD models